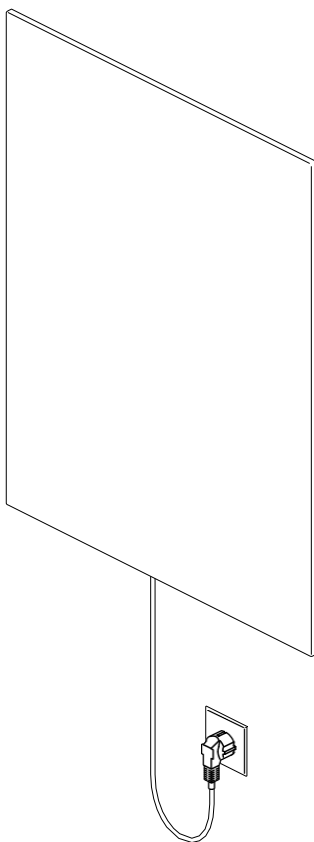




OPERATING AND ASSEMBLY INSTRUCTIONS

For installers and end users

Infrared heater



DISCLAIMER

ROJOPA HEAT does not assume any warranties or guarantees with respect to this instruction and limits its liability for violation of any implied guarantee to the extent permitted by law to replace this instruction with another one. Moreover, ROJOPA HEAT reserves the right to revise this publication at any time, without having to notify anyone of this revision.

The information provided in this documentation includes general descriptions and / or technical features to operate the products described in this. This documentation cannot be used as a proper assessment of the suitability or reliability of the products for a specific application by a user and should not be relied upon to replace such assessment. It is the responsibility of every such user or installer to carry out an appropriate and complete risk assessment, evaluation and testing of the products for his specific application. Neither ROJOPA HEAT nor any of his partners or subsidiary companies can be held responsible or liable for any misuse of the information included in this instruction. If you have any suggestions for improvements or additions or have noticed any errors in this publication, please let us know.

All applicable state, regional and local safety regulations must always be taken into account during the installation and application of this product. The manufacturer alone is authorized to carry out repair works to components for safety reasons and to ensure compliance with the documented system data.

If this information is disregarded, it could result in violations or damage to the device.

Copyright © 2019 ROJOPA HEAT

All rights reserved. No part of this publication may be reproduced, processed or forwarded in any form, including photocopy, recording or any other electronic or mechanical process without the written approval of the publisher. Requests for approval must be sent in writing to the publisher at the address below and addressed to "attn. approval coordinator".

Rojopa Vertriebs GmbH
Gniebing 125
A-8330 Feldbach

Table of contents

| | | |
|------------|--|-----------|
| 1. | Introduction | 5 |
| 1.1 | Description of the user | 5 |
| 1.2 | Safety symbols used in this instruction: safekeeping | 5 |
| 1.3 | instructions | 5 |
| 1.4 | Obtaining documentation and information Internet | 6 |
| 1.4 / 1 | Ordering documentation other languages | 6 |
| 1.4 / 2 | Feedback on the documentation | 6 |
| 1.4 / 3 | Support and Service | 6 |
| ... | | 7 |
| 2 | Product descriptions | 8 |
| 2.1 | Intended use and reasonably foreseeable misuse | |
| | Technical specifications | 8 |
| 2.2 | Product elements | 8 |
| 2.3 | | 10 |
| 3 | Safety instructions | 11 |
| 3.1 | Warnings and safety information | 11 |
| 3.2 | Explanation of the notes on the device and the package | 14 |
| 4 | Installation | 15 |
| 4.1 | Transport and storage of the product Assembly | 15 |
| 4.2 | of the product | 15 |
| 4.2.1 | Unpacking and checking the contents of the package | 15 |
| 4.2.2 | Minimum space requirement | 15 |
| 4.2.3 | Installation of infrared heater disassembly | 16 |
| 4.2.4 | First commissioning | 20 |
| 4.3 | | 21 |
| 5 | Maintenance and cleaning | 22 |
| 5.1 | Maintenance of the product | 22 |

| | | |
|-----|--|----|
| 6 | Disposal | 23 |
| 6.1 | Disposal of electronic devices | 23 |
| 6.2 | Disposal of the package | 23 |
| 7 | Guarantee, warranty | 24 |
| 7.1 | statement, guarantee exclusion | 24 |
| 7.2 | Assertion, presentation of the original proof of purchase, | 24 |
| 7.3 | Applicable law | 25 |
| 7.4 | Contact | 25 |

1. Introduction

1.1 Description of the user

This document is intended for the installer and the user of the ROJOPA HEAT infrared heater. Installation and electrical installation must only be carried out by a trained expert.

1.2 Safety symbols used in this instruction



"Hazard" indicates an imminently hazardous situation which, if not avoided, could result in death or serious injuries.



"Warning" indicates a potentially hazardous situation which, if not avoided, could result in death or serious injuries.



"Caution" indicates a potentially hazardous situation which, if not avoided, could result in minor to moderate injuries.



"Note" indicates a situation which, if not avoided, could result in property damage.

1.3 Safekeeping the instructions

Please ensure that you have read and understood the instructions completely before you use the product. Otherwise, consequences could be serious injuries or even death.

Follow all instructions. Any disregard may cause fire, explosions, and electric shocks or other hazards that may cause property damage and / or cause serious injuries or death.

The product should be used only by persons, who have read and understood the contents of this instruction completely.

Make sure that every person using this product has read and follows these warnings and instructions.

Please retain all safety information and instructions for future reference and pass it on to later users of the product. The manufacturer is not liable for any material damage or injuries resulting from mishandling or non-compliance with the safety instructions. The warranty expires in such cases.

1.4 Obtaining documentation and information

1.4 / Internet

A current version of the documentation is available on the following website

www.rojopa.com

1.4 / Ordering documentation

Documentation, user manuals and technical information can be ordered or downloaded via phone or E-mail to office@rojopa.com at +4 43 676 644 76 04 or on the website

www.ROJOPA-heat.com.

1.4 / Other languages

This is the operating Instruction in German. Instruction in other languages can be made available on request.

1.4 / Feedback on the documentation

If you read ROJOPA HEAT product documentation on the Internet, you can submit comments via the support website (www.rojopa.com).

Comments can also be.

We look forward to your feedback.

1.4.5 Support and Service

If you have further questions, for any other information, technical support,

In case of queries about maintenance or to order user instructions, please contact:

Rojopa Vertriebs GmbH

Gniebing 125, A-8330 Feldbach

+43 676 644 76 04

office@rojopa.com

2 Product descriptions

2.1 Intended use and reasonably foreseeable misuse

The STANDARD infrared heater is intended for ceiling or wall heating indoors. The device should only be used in household or similar environments (e.g. in offices, shops and schools).

The ROJOPA HEAT infrared heater is not intended for use outdoors or in small rooms. The device must not be used for cooking.

The ROJOPA HEAT infrared heater should be used only with original accessories and components.

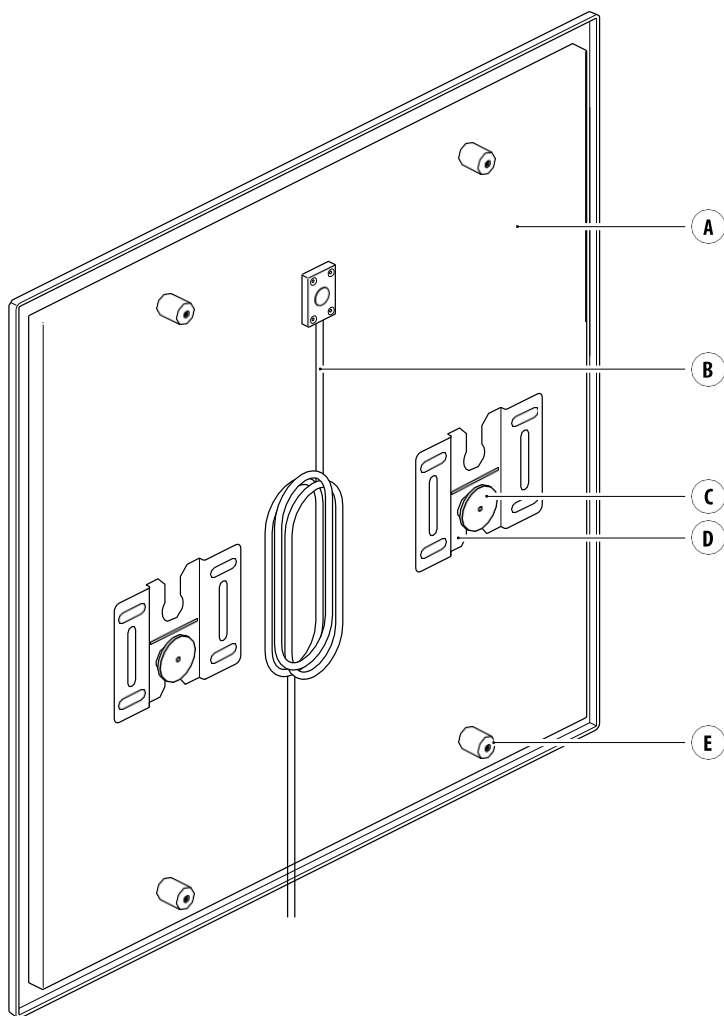
The device should be used only in accordance with these operating instructions. Any use deviating from the use described in this instruction is considered improper use. There may be hazards to humans, animals and the environment in case of improper use.

2.2 Technical specifications (information on the individual room devices)

| Parameter | Unit |
|----------------------|-----------------------------|
| Product name | ROJOPA HEAT infrared heater |
| Name | Infrared heater |
| Model identification | Standard (ST-xxx) |
| Fuel type | Electric |

| | |
|--|---|
| Type of heat supply Control | Electronic control of heat supply with ROJOPA HEAT control units and response to room temperature. The device must be connected to a grounded AC wall socket or supply line with a radio-controlled socket receiver, radio thermostat or In-wall radio receiver |
| Type of heat output / Room temperature control | Optional (accessories required obligatorily) |
| Other control options | - |
| Type of heat output /Room temperature control | Type of heat output /Room temperature control Optional ROJOPA-HEAT control units |
| Technical service life | Under examination |
| Input voltage | 220-240 Volt ~50Hz |
| Nominal heat output | 250Watt, 430Watt, 560Watt, 680Watt, 860Watt |
| Minimum output | Tolerance +/- 8% |
| Surface temperature | Approx. 90°C to 105°C |
| Weight | 5 to 16 kg |
| Materials | Surface: sheet steel powder coated Back panel: sheet steel powder coated |
| Protection class | IP44 |
| Surrounding conditions | 0°C to +40°C; 10-80 % relative humidity |

2.3 Product elements



- A. Infrared heater
- B. Power cable with mains plug
- C. mounting bolt holder
- D. Wall bracket
- E. Spacers

3 Safety instructions



Read all safety instructions and make sure you understand them.

3.1 Warnings and safety information

The device is designed for indoor use. Never use it outdoors.

The device does not have a built-in temperature control (only temperature limiter). Therefore, the device must not be used in small rooms, occupants of which cannot leave them independently, unless constant monitoring is ensured.

This device is not intended for use by persons (including children of 8 years of age and above) with limited physical, sensory or mental capabilities or a lack of experience and / or knowledge, unless they are supervised by a person responsible for safety of the device and its correct use and gives instructions.

Children aged between 3 and 8 years are allowed to only switch the device on and off, if they are supervised and instructed about the safe use of the device and have understood the hazards resulting from it, provided that the device is placed and installed in its normal application. Children between 3 and 8 years, should not plug in the device, should not control the device, should not clean the device and / or should not carry out the maintenance activities through the user.

Children younger than 3 years are to be kept away, unless they are constantly monitored.

Keep the device out of reach of children to avoid injuries. Children should be supervised and it must be ensured that they do not play with the device.

Never leave children unsupervised with the packaging material. The packaging material can cause death by suffocation. Children often underestimate the hazards. Always keep the packaging material away from children.

Always be vigilant and always exercise caution. Do not use electrical appliances, if you have difficulty concentrating or if you lack the necessary awareness or are under the influence of drugs, alcohol or medication. Even the slightest inattentiveness while using electrical device can lead to serious accidents and injuries.

Check the device (and possibly even the cables) for damage before use. If you notice visible damage, a strong smell, excessive overheating of components, immediately disconnect all the plugs and stop using the device.

If the device is not installed and used in accordance with this instruction, it may cause hazardous interference with radio or television reception or affect other electronic devices. The infrared heater should only be mounted with the provided suspension device. Any warranty is excluded and no liability is guaranteed for consequential damages for damages resulting from mounting the device without the original suspension. The heating elements should only be used with the original frame; otherwise the warranty and liability for consequential damage are excluded. Before connecting the device to the power supply, check if the voltage in your house matches the voltage indicated on the power supply unit. The device must be connected to a grounded AC wall socket with a radio-controlled socket receiver, radio thermostat or in-wall radio receiver.

The device has a Schuko plug. Connect your device to only such a socket that is suitable for the plug of your device.

Never pull the power cord, it may damage the plug. Please unplug the mains plug to disconnect the power supply!

Do not clamp the cable and avoid kinks.

If the mains cable of this device is damaged, it must be replaced by the manufacturer or his customer service agent or an equally qualified person in order to avoid hazards.

Never touch a mains plug or the device with wet hands.

Keep the device away from moisture. Do not use the device near a bathtub, shower or swimming pool.

Persons, who are in a bathtub or shower, must never come into contact with the voltage.

The device is to be used only within the specified performance limits. Ensure that the electric circuit can be broken immediately for instance via a circuit breaker or an FI-switch. Short circuits can cause electric shock.

Keep the device away from flammable materials such as drapes and curtains.

WARNING: No objects should be placed on the infrared heaters or the heating element should not be covered.

Do not touch heating elements during operation. It may possibly lead to severe burns because the surface of the infrared heater becomes hot during operation up to 105 ° C.

Protect the plug from being used by third person (especially children).

On the supposition that the device cannot be operated safely, the device must be switched off and protected against unintentional use.

Disconnect all plugs before cleaning the device. Do not use cloths or chemicals that can damage the surface. Wipe the housing with a damp cloth. Electrical / electronic parts must not be cleaned.




Do not attempt to open, modify or repair the device. Do not let it drop, do not drill in, do not break it up, and do not expose it to high pressure.

No repair works of the infrared heater should be carried out on your own. Always contact a dealer. Any changes to the device and technical changes are prohibited.

WARNING: The device must not be covered in order to avoid overheating.

WARNING: The heater must not be installed directly below a wall socket.

3.2 Explanation of the notes on the device and the packaging

| Note: | Meaning: |
|---|--|
|  | The device complies with the respective European directives. |
|  | The device fulfills the requirements of the RoHS directive. |
|  | This device must not be disposed of as unsorted waste, but must be handed over at a special collection point. WEEE Number: WLC 63054412 |
| | |
| | |
| | |

4 Installation

4.1 Transport and storage of the product



Exercise caution while handling, lifting, carrying and transporting the product in order to avoid any damage to it.

For safe storage of the product:

1. Ensure that the product is in its original packaging.
2. Store the product at a temperature between + 5 ° C and + 40 ° C with a relative humidity of maximum 50% at + 40 °C.

4.2 Mounting the product

4.2 / Unpacking and checking the contents of the package

To check the content:

1. Remove the transport and packaging elements.
2. Check if the package includes the following parts: 1 x infrared
 - heater
 - 1 x installation kit
 - 2 x holders
 - 8 x Screws
 - 8 x wall plugs
 - 1 x operating instructions

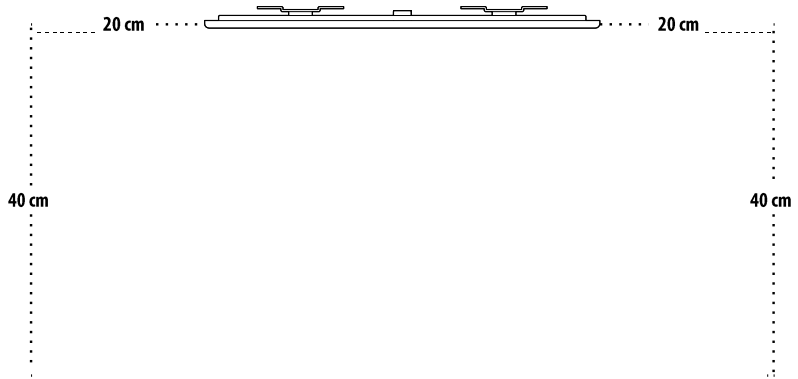
4.2 / Minimum space

Please note the following:

The minimum distance to objects on the front of the product should be 40 cm. A minimum distance of approx. 20 cm should be maintained from the side.

The device should not be installed near a bathtub, shower or swimming pool. In case of installation by a specialist company, the standard VDE 0100 Part 701, Part 702 and Part 703 is to be used.

For installation in public places, compliance with the VDE 0108 is to be ensured.



4.2 / Installation of infrared heater

HINWEIS

The infrared heater should be mounted only with the provided suspension device.

Installation and electrical installation should be carried out only by a trained expert.

Drilling holes on the infrared heater is not allowed and could destroy your device.

If holes are drilled on the infrared heater, its reliability is no longer guaranteed. Therefore, the device must no longer be connected to the power supply.

Required tools:

- Pencil
- Drill (8 mm)
- Phillips head screwdriver
- Self-unrolling measuring tape made of metal
- Level

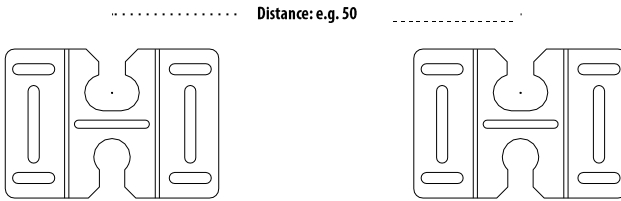
Mounting the device:

1. Ensure that the bearing capacity of the wall or ceiling is adequate. Ensure that the wall or ceiling materials are appropriate for installation.

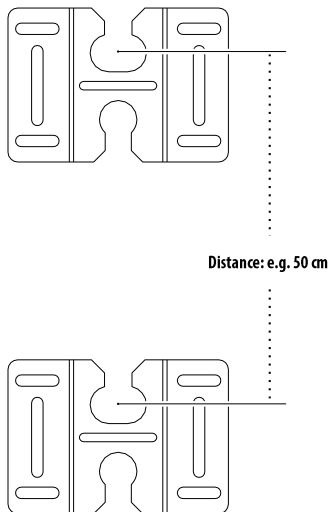
Measure the distance between the center points of the **mounting bolts (C)** (The

2. distance may vary depending on the model and can be, for example, 50 cm). Determine the position of the drilling holes in the wall or ceiling to mount the **holders (D)**. For this purpose, use the **holders** as a template. **Note!** Please note that the device is suspended 1.2 m above the floor in the children's room or in rooms, to which children may have access.
- 3.

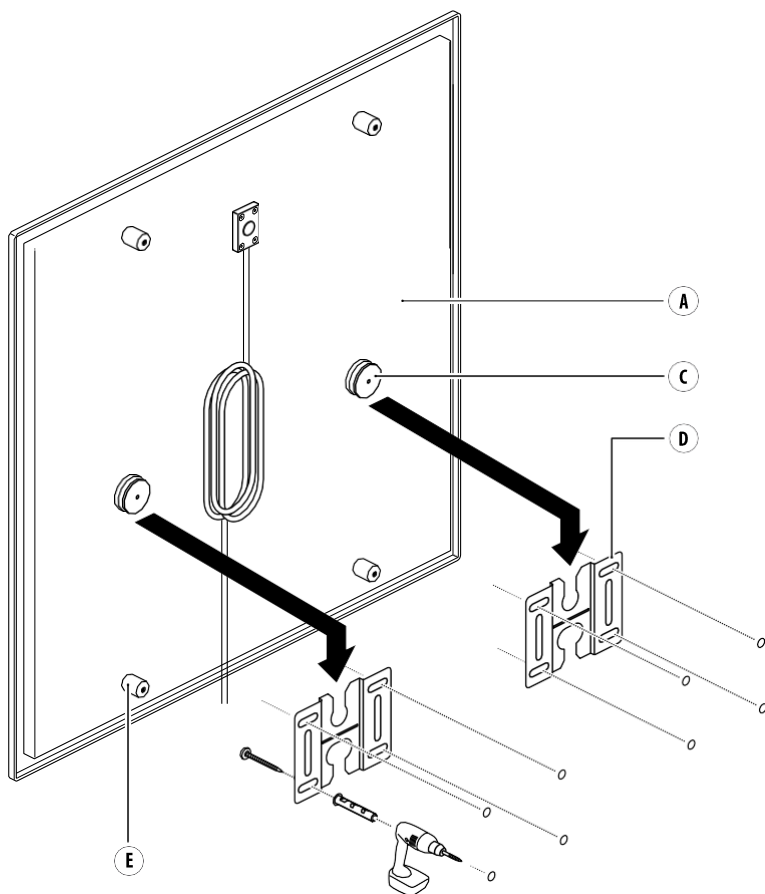
- A. Horizontal installation / ceiling installation. **Note!** The standard model is suitable for ceiling installation.



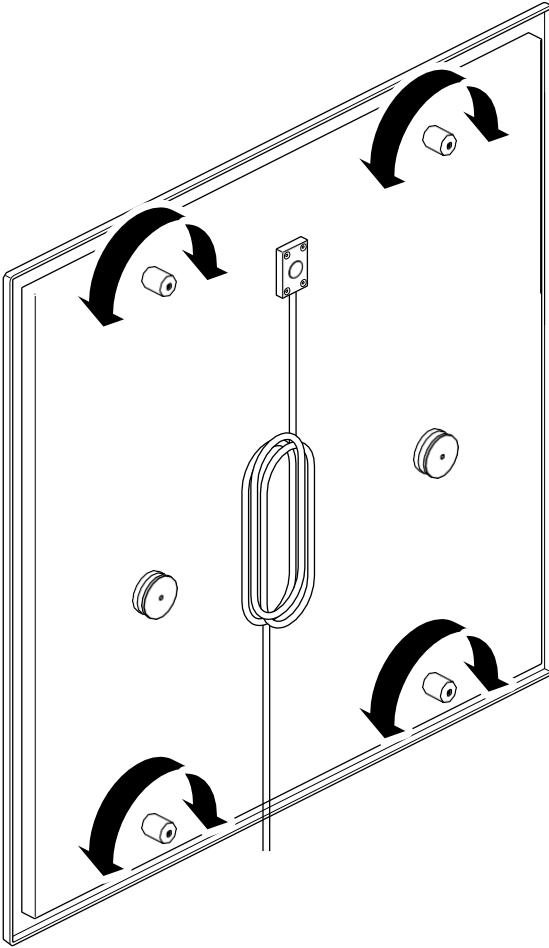
- B. Vertical installation / wall mounting



4. Drill eight holes in the wall with the 8 mm drill. Insert eight wall plugs.
5. Fix the **holders** (D) with the eight **screws**.
6. Place the **infrared heater** (A) on the **holders** (D) with the **mounting bolts** (C).
7. **ATTENTION!** Make sure that the infrared heater is completely cooled off.



8. Turn the four **spacers (E)** to lock the **infrared heater**.



9. Connect the **infrared heater** electrically. Select one of the following control components:

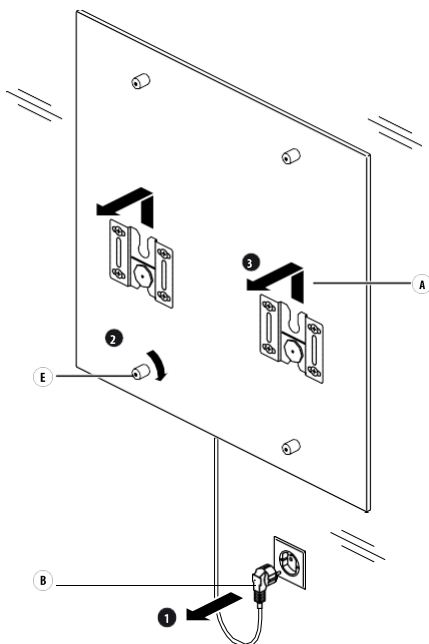
Connect the **mains plug** to a radio socket receiver on a grounded wall socket.

- Connect the power cable (B) to a radio thermostat. **WARNING!** This permanent electrical wiring should be set up only by a trained expert.
- Connect the **power supply cable** (B) to an in-wall radio receiver. **WARNING!** This permanent electrical wiring should be set up only by a trained expert.
-

4.2 / Disassembly

For disassembly:

1. Unplug the mains plug (B).
2. Release the **spacers** (E) to unhook the **infrared heater**.
3. Remove the **infrared heater** (A).



4.3 First commissioning

HINWEIS

Please note that the color that is still fresh and wet can cause the UV-color to evaporate during the first heating phases (1-3 days). The color and its evaporations are not hazardous to health and do not contain any solvents. Safety data sheets can be requested from the respective dealer.

For commissioning of the infrared heater:

1. Run the infrared heater for several hours (1-2 days, if necessary).
A pleasant room climate sets in immediately after this first commissioning. The
2. operating time of the infrared heater can now be kept to a minimum or be clocked with the room thermostat. We recommend using our high-quality radio thermostat for the most efficient and energy-saving heating of the ROJOPA HEAT infrared heater.

5 Maintenance and cleaning

5.1 Maintenance of the product

For cleaning the infrared heater:

1. Disconnect the mains plug before cleaning the infrared heater or break the electric circuit with the safety switch.
2. Make sure that the infrared heater is completely cooled off.
3. Wipe the infrared heater with a soft cloth or chamois that is moistened with a solution of non-abrasive cleaning agent and a few drops of warm water. **ATTENTION!** The infrared heater must never be kept under running water or submerged in water. The heating elements must never be cleaned with a wet cloth or water spray. Abrasive agents, sharp and aggressive cleaners and rough cleaning cloths should not be used.

Wipe off any residual moisture with a dry cloth.

4. **WARNING!** The heating element must be completely dry before a re-start.

6 Disposal

6.1 Disposal of electronic devices



The symbol on the device, accessories or packaging indicates that this device should not be disposed of as unsorted waste, but is to be disposed of at a specific collection point!

Dispose of the device at a collection point for the recycling and disposal of electrical and electronic

Devices within the EU and in other European countries that have systems for the separate collection of electrical and electronic devices. With the proper disposal of the devices, you help to avoid potential environmental and health hazards that may be caused by improper handling of old devices. The recycling of materials contributes to the conservation of natural resources. Therefore, do not dispose of old electrical and electronic devices along with the unsorted municipal waste.

6.2 Disposal of the package

The packaging is made out of environment-friendly materials that can be disposed of at your local recycling facility. With proper disposal of the packaging and packaging waste, you help to avoid potential hazards to the environment and public health.

7 Warranty

7.1 Warranty statement

1. Rojopa Vertriebs GmbH (hereinafter referred to as "Rojopa"), as the manufacturer of the ROJOPA HEAT infrared heater, warrants to the customer (hereinafter referred to as "customer"), in accordance with the following provisions, that the infrared heating element delivered to the customer within Europe (hereinafter referred to as "product ") , will be devoid of any functional errors related to all electronic components and cables within a period of five years after the conclusion of the purchase contract.
In case of a proven warranty claim within the warranty period, Rojopa will repair or replace the product for free.
2. In the case of a warranty service, the original warranty period remains valid. Therefore, by claiming the warranty, the warranty period is neither extended nor does a new
3. warranty period start.

7.2 Guarantee exclusion

Claims under this warranty exist only, if the product does not show any damage or signs of wear that are caused by the use of the product in a way other than that specified in the user manual.

No attachments, alterations or other modifications have been carried out for the product and that there are no defects that are caused due to the use of accessories, spare parts or spare parts, which are not original ROJOPA HEAT parts.

Attachments and installation have been carried out properly in accordance with the installation regulations of Rojopa and therefore the supply voltage and surrounding conditions have been complied with, no chemical or physical effects on the material surface resulting from improper use (such as the use of improper cleaning agents or by using sharp objects) can be traced on the product, as well as the product number of the product has not been removed or made unrecognizable.

7.3 Assertion, presentation of the original proof of purchase

Claims under the warranty can only be asserted after handing over or sending the product to Rojopa Vertriebs GmbH- Complaints Department -, Gniebing 125, A-8330 Feldbach.

The customer is entitled to assert the warranty only after presenting the original proof of purchase, which must contain the date of purchase. Rojopa will mention the freight company to the customer for the return for repair or replacement and will bear the cost of the transport.

However, if the customer chooses another freight company, the manufacturer does not pay for the cost of the shipment.

7.4 Contact

Always contact Rojopa Vertriebs GmbH first before sending in the product. The functional warranty is five years from the date of purchase. The complaints of the defective product must be sent within two weeks at:

Rojopa Vertriebs GmbH
Gniebing 125
A-8330 Feldbach
Phone +43 676 644 76 04
Or
office@rojopa.com

ATTACHMENT I - STANDARD ACCESSORIES

| Name | Article number |
|--------------------------------|----------------|
| Chipboard screw WÜPOFAST | 10000001 |
| Plastic plus ZEBRA Shark W-ZK® | 10000013 |
| Holder for infrared back-panel | 10000090 |

